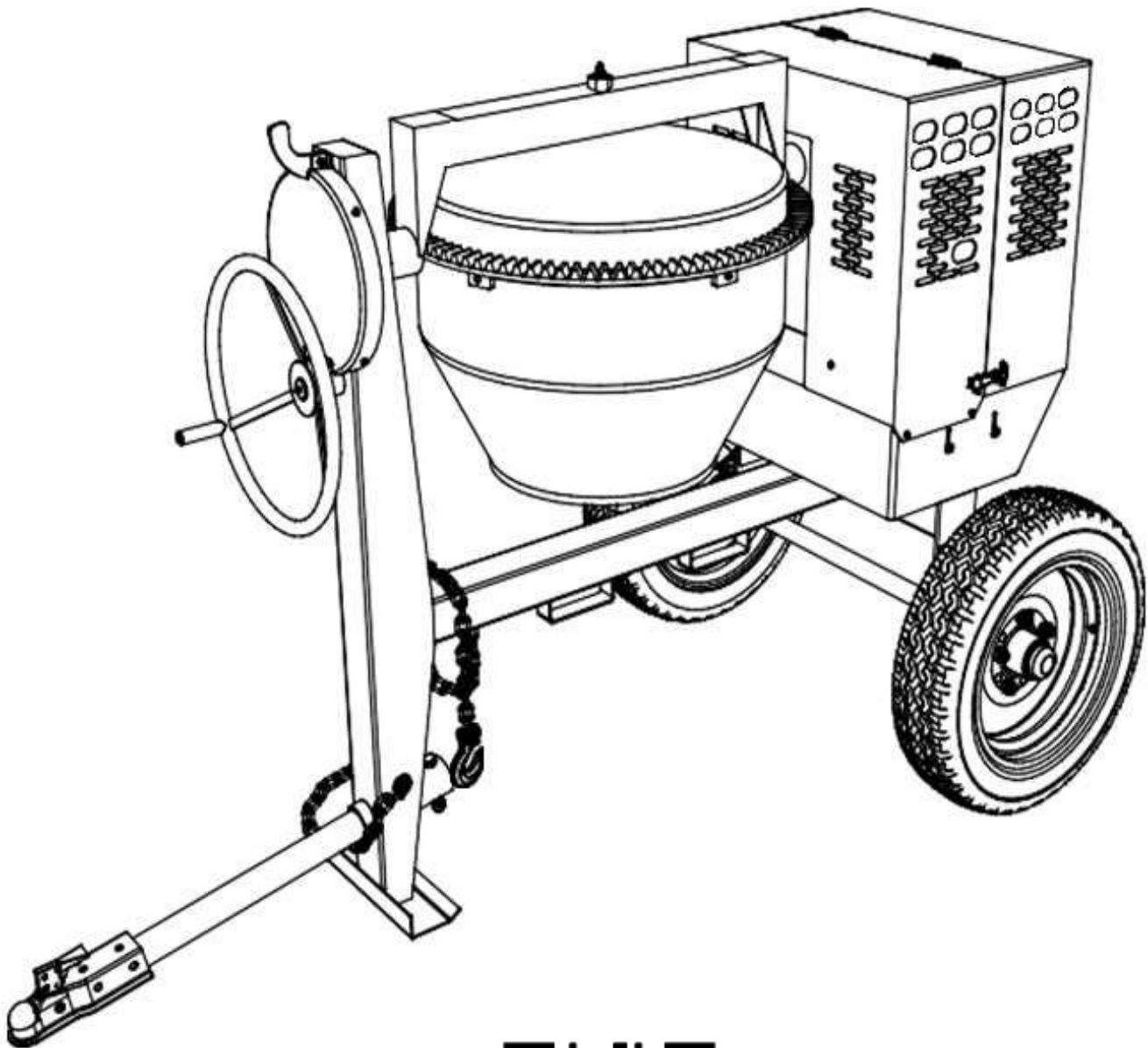


# Operator's Safety and Service Concrete Mixer Manual



CM6P / CM7

CM9P / CM9

CM12



01012021

It is the OWNER'S RESPONSABILITY to communicate information on the  
SAFE USE and OPERATION of this machine to the operators.

## TABLE OF CONTENTS

1.Serial Number Location.....	3
2.Parts Ordering Procedure .....	3
3.Operating Instructions .....	4
4.Safety Precaution .....	5
5.Safety Notice & Decals .....	6
6.Safety Decal Location .....	8
7.Before Operating.....	9
8.Operation Instruction.....	11
9.Adding Fluids and Towing .....	11
10.Service Instructions .....	12
11.Maintenance Schedule .....	14
12.Replacements.....	15
13.Equipmnet Specs.....	15
14.Troubleshooting.....	16
15.Warranty .....	17
16.Contact Us .....	19
17.Additional Notes .....	20
17.Parts List Breakdown.....	Attachment

# 1. SERIAL NUMBER LOCATION

The model/serial number decal is located on the mixer frontal leg.

To be eligible to your **Life time warranty on bearings & seals and extended Warranty of 5 years on gearbox units** please register your mixer online at <https://tkequip.com/warranty/>

**(Write model number)**

**(Write serial number)**

The unit year of manufacturing can be determined by its serial number. So, keep this information handy at all times, use your unit serial number when ordering parts.

This Unit warranty is stated in this Operational and Safety manual on page 16. Failure to return warranty registration card renders the warranty null and void.

An engine owner’s manual is also attached to every unit. Engine parts must be order from any authorized HONDA dealer, or other if different than HONDA. Refer to the engine owner’s manual lo learn about specifications and part identification.

# 2. PARTS ORDERING PROCEDURE:

Parts must be ordered through your local distributor or online using our partner internet parts dealers. If you can’t locate a local distributor in your area visit us online at [www.tkmixerparts.com](http://www.tkmixerparts.com) for information so we can locate the nearest dealer and contact numbers for assistance.



All Dealers are welcome to send us an email to:

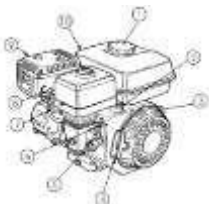
[sevice@btmequipment.com](mailto:sevice@btmequipment.com) or [parts@btmequipment.com](mailto:parts@btmequipment.com)



All Dealers are welcome to order parts via fax by dialing **(956) 462-2500**



All Dealers are welcome to order parts by dialing our Number# **(956) 796-9411**



All HONDA warranties and parts ordering must be through a Honda dealer. Please visit <https://engines.honda.com/dealer-locator> for more information.

## ALWAYS HAVE READY:

1. Dealer Account number
2. Shipping address and method of shipping if different than billing address.
3. Applicable model and serial number of machine(s). 3A9S#####
4. Item part number(s), description, and quantities.

## 3. OPERATING INSTRUCTIONS

This Operation manual contains only standard parts. Variations of these parts as well as other special accessories are not included. Contact your local distributor for assistance in identifying parts not included in this manual.

### ASSEMBLY INSTRUCTIONS [\(IF MIXER STANDING ON END\)](#)

1. Remove the mixer and all components from its shipping crate. You will see:
  - (2) Rim and tire assemblies.
  - (1) Axle assembly with hubs on each side, (2) mounting U-bolts, (2) leaf springs.
  - (1) Selected hitch with (1)  $\frac{3}{4}$  screw w bolt & (1) safety bolt & (1) hair pins.

**Note: All installation hardware must be inserted into its respective location on the mixer, reference parts breakdown for more details if needed. Do not use pneumatic gun.**

2. After removing all mixers' safety packing, while standing on an end, locate the axle's place on the mixer. You need to locate the bolts attached to the mixer shroud, bolted to the pallet and make sure these bolts are removed.
3. Lift the axle up to the mixer frame and position it in the center of the mixer make sure the axle guides are inside the mounting U-bolts (both sides) before you hook the axle on the mixer's springs (CM9/CM12) or mixer frame (CM7) and bolt the mounting loops.
4. Insert (2) 1/2-inch bolts with a washer through the frame and the vertical mounting bracket on the axle. Secure each bolt with a washer and locknut. **Tight to 57 ft.-lbs.**
5. Remove the lug nuts from the axle and mount the speed wheel, after wheel is mounted proceed to place the lug nuts (make sure the conical (tapered) end is facing the inside of the wheel. **Torque to 105 ft.-lbs.**
6. Proceed with the second wheel using the steps of point #5.
7. Using appropriated Equipment, put the mixer down to the ground.  
**Warning: failure to use proper lifting equipment could cause mixer to fall and cause serious injury.**
8. Adjust the safety chain through the key slots in the front leg. Adjust the chain's ends to equal length.
9. Remove the safety bolt and pin from the tow bar.
10. Install the selected tow bar through the frontal leg.

(956) 796-9411

11. Insert the pin through the front leg and the front hole in the tow bar. Secure the pin with a hairpin cotter.
12. Insert the 3/4" bolt through the rear hole and secure with a lock washer and nut. Tighten securely.

## 4. SAFETY PRECAUTIONS



# WARNING



### CALIFORNIA – Proposition 65 Warning

Engine exhaust and some of its constituents and some dust created by power sanding, sawing, grinding, drilling and other construction activities contains chemicals known to the State of California to cause cancer, birth defects and other reproductive harm.

Some examples of these chemicals are:

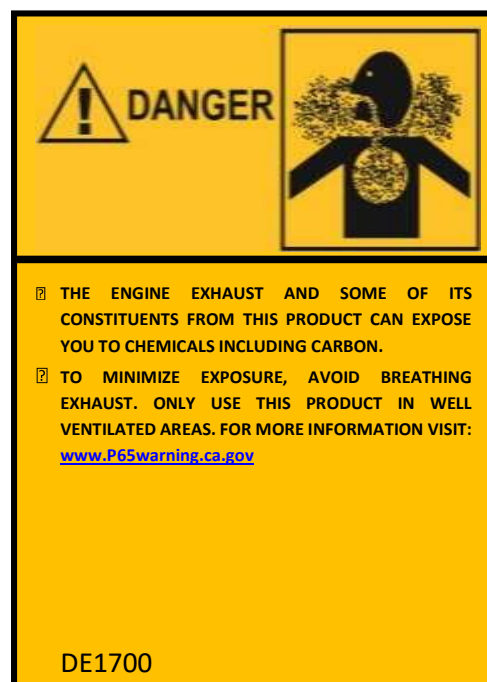
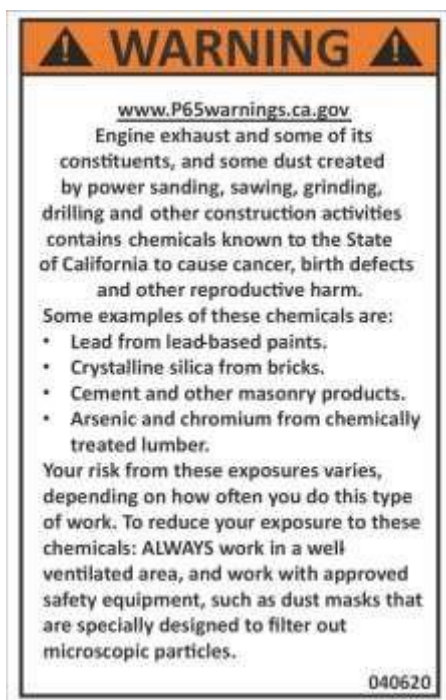
- Lead from lead-based paints
- Crystalline silica from bricks
- Cement and other masonry products
- Arsenic and chromium from chemically treated lumber

Your risk from these exposures varies, depending on how often you do this type of work. To reduce your exposure to these chemicals:

**ALWAYS** work in a well ventilated area, and work with approved safety equipment, such as dust masks that are specially designed to filter out microscopic particulates.

READ AND STUDY THE FOLLOWING SAFETY INFORMATION BEFORE ATTEMPTING TO OPERATE THIS EQUIPMENT. IN ADDITION, ENSURE THAT EVERY INDIVIDUAL WHO OPERATES OR WORKS WITH THIS EQUIPMENT IS FAMILIAR WITH THESE SAFETY PRECAUTIONS.

IT IS THE OPERATOR'S RESPONSIBILITY TO OPERATE OUR MACHINES ONLY WHEN WEARING THE PROPER PROTECTION RECOMMENDED BY THE OCCUPATIONAL SAFETY AND HEALTH ADMINISTRATION. HARM OR DEATH BY INHALING PARTICLES OR OTHER PHYSICAL INJURY MAY OCCUR IF THIS MACHINE IS OPERATED WITHOUT USING THE PROPER SAFETY GEAR, OR FOLLOWING THE APPROPRIATE PROCEDURES IN THIS MANUAL.



### WARNING - LETHAL EXHAUST GAS!

An internal combustion engine discharges carbon monoxide, which is a poisonous and odorless invisible gas. Death or serious illness may result if inhaled. Operate only in an area with good ventilation.

### NEVER IN A CONFINED AREA!

### WARNING - DANGEROUS FUELS!

Use extreme caution when storing, handling and using fuels - they are highly volatile and explosive in the vapor state. Do not add fuel while engine is running. Stop and cool the engine before adding fuel.

### DO NOT SMOKE WHEN REFUELING!



### SAFETY GUARDS

It is the owner's responsibility to ensure **ALL GUARDS AND SHIELDS** are in place and in working order.

### IGNITION SYSTEMS



(956) 796-9411

Breaker less magneto and batteries ignition systems **CAN CAUSE SEVERE**

**ELECTRICAL SHOCKS**, avoid contact with these components or their wiring.

**SAFE DRESS**

**DO NOT WEAR** loose clothing, rings, wristwatches, etc., near machinery.

**NOISE PROTECTION**

Wear O.S.H.A. specified hearing protection devices.

**FOOT PROTECTION**

Wear O.S.H.A. specified steel tip safety shoes.

**HEAD PROTECTION**

Wear O.S.H.A. specified safety helmets.

**EYE PROTECTION**

Wear O.S.H.A. specified eyes shields, safety glasses, and sweat bands.

**DUST PROTECTION**

Wear O.S.H.A. specified dust mask or respirator.



**OPERATOR**

Keep children and bystanders off and away from the equipment.

For details on safety rules and regulations in the United States, contact your local Occupational Safety and Health Administration (O.S.H.A.) office. Equipment operated in other countries must be operated and serviced in accordance and compliance with any and all safety requirements of such country. The publication of these safety precautions is done for your information does not by the publication of these precautions, imply or in any way represent that these are the sum of all danger's present near equipment. If you are operating this unit it is your responsibility to ensure that such operation is in full accordance with all applicable safety requirements and codes. All requirements of the United States Federal Occupational Safety and Health Administration Act must be met when operated in areas that are under the jurisdiction of that United States Department.

## 5. SAFETY NOTICE & DECALS

The "**SAFETY ALERT SYMBOL**" is used to call attention to items or operations that may be dangerous to those operating or working with this equipment. These symbols can be found throughout the manual and on the unit itself. Please read these warnings and cautions carefully.

## READ SAFETY DECALS CAREFULLY

Carefully read and follow all safety decals. Keep them in good conditions. If they become aged, replace as required. If repainting, **REPLACE ALL** decals. Decals are available from your authorized Distributors. Decals are not shown to scale.



**CAUTION**

WHEN TOWING, ENSURE DRAWBAR IS IN THE MIDDLE POSITION.

201012

**CAUTION**

2-PERSON LIFT REQUIRED TO POSITION MIXER HITCH ON/OFF VEHICLE

201155

**WARNING**

MISSING GUARD HAZARD  
INSTALL, CLOSE AND SECURE ALL GUARDS, SHIELDS AND HOODS BEFORE OPERATING.

201004

**WARNING**

201005

**WARNING**

45 mi/hr.

EXCESSIVE TOWING SPEED CAN CAUSE SERIOUS INJURIES OR DEATH.  
DO NOT EXCEED 45 MI/HR. (73 KM/HR.)

- BE CERTAIN THAT THE WHEEL LUG NUTS AND AXLE MOUNTING HARDWARE ARE TIGHTENED.
- CHECK PRESSURE AND OVERALL CONDITIONS OF TIRES.

201151

**WARNING**

**ROTATING PART HAZARD  
KEEP AWAY**

TO PREVENT SERIOUS INJURY OR DEATH ROTATING PARTS:

- INSTALL, CLOSE AND SECURE ALL GUARDS, SHIELDS AND HOODS BEFORE OPERATING.
- DO NOT PLACE HANDS IN DRUM UNLESS THE MOTOR OR ENGINE IS OFF AND THE POWER CORD UNPLUGGED OR THE KILL SWITCH ACTIVATED.
- KEEP HANDS, FEET, HAIR AND LOOSE CLOTHES AWAY FROM MOVING PARTS.

201003

**WARNING**

- READ AND UNDERSTAND OPERATOR'S MANUAL AND SAFETY SIGNS BEFORE STARTING.
- STOP ENGINE, DISCONNECT SPARK PLUG WIRE AND WAIT FOR ALL MOVING PARTS TO STOP BEFORE SERVICING, MAINTAINING, ADJUSTING OR CLEANING.
- KEEP HANDS, FEET, HAIR OR CLOTHING AWAY FROM MOVING PARTS.
- INSTALL, CLOSE AND SECURE ALL GUARDS, SHIELDS AND HOODS BEFORE OPERATING.
- DO NOT PLACE HANDS IN THE DRUM UNLESS ENGINE IS OFF AND SPARK PLUG IS DISCONNECTED OR MOTOR IS OFF AND POWER CORD IS UNPLUGGED.
- STAY AWAY FROM HOT ENGINE COMPONENTS DURING OPERATION
- HAVE A LICENCED ELECTRICIAN WIRE UP ELECTRIC MOTORS.
- DO NOT SMOKE WHEN REFUELING.
- USE POWER CORD WITH REQUIRED CAPACITY TO CARRY POWER TO ELECTRIC MOTOR.
- FOLLOW GOOD SAFETY PROCEDURES WHEN HANDLING FUEL.
- ROUTE THE POWER CORD OUT OF THE WAY & PROTECT IT FROM DAMAGE.
- DO NOT OPERATE IN AN EXPLOSIVE ATMOSPHERE OR A POORLY VENTILATED AREA WITHOUT ADEQUATE VENTILATION.
- KEEP WORKING AREAS DRY AND CLEAN TO PREVENT SLIPPING AND TRIPPING.
- ALWAYS ATTACH SAFETY CHAIN WHEN TOWING.
- COMPLY WITH APPLICABLE TRANSPORTING REGULATIONS WHEN TOWING.
- DO NOT ALLOW RIDERS DURING TRANSPORTING.
- DO NOT EXCEED A SAFETY TRAVEL SPEED WHEN TRANSPORTING.
- SLOW DOWN FOR CORNERS AND WHEN GOING OVER ROUGH TERRAIN.

201001

**DANGER**

**ELECTROCUTION HAZARD**

- TURN MACHINE OFF, SHUT DOWN AND LOCK OUT POWER SOURCE, UNPLUG POWER CORD AND WAIT FOR MOVING PARTS TO STOP BEFORE SERVICING OR REPAIRING MACHINE OR ELECTRICAL COMPONENTS.
- KEEP ELECTRICAL COMPONENTS IN GOOD CONDITIONS.

201004

**DANGER**

- THE ENGINE EXHAUST AND SOME OF ITS CONSTITUENTS FROM THIS PRODUCT CAN EXPOSE YOU TO CHEMICALS INCLUDING CARBON.
- TO MINIMIZE EXPOSURE, AVOID BREATHING EXHAUST. ONLY USE THIS PRODUCT IN WELL VENTILATED AREAS. FOR MORE INFORMATION VISIT: [www.P65warning.ca.gov](http://www.P65warning.ca.gov) DE1700

**NOTICE**

- ENSURE THE VEHICLE HAS TOWING CAPACITY FOR THE WEIGHT OF THIS MACHINE.
- DO NOT TOW MACHINE UNLESS THE DRAW BAR IS BOLTED IN PLACE AND THE SAFETY PIN IS SECURELY FASTENED.
- CLOSE ENGINE FUEL CUTOFF BEFORE TOWING MIXER TO PREVENT LEAKING OIL INTO ENGINE CRANKCASE.
- 2-PERSON LIFT PER UNIT TO POSITION MIXER ON VEHICLE.
- SECURELY ATTACH HITCH TO TOWING VEHICLE. ENSURE USE OF SAFETY PIN THROUGH LATCH OR HANDWHEEL FOR BALL TYPE HITCH.
- SAFETY CHAIN ATTACHMENT (SEE PICTURE) MUST CROSS UNDER THE DRAW BAR AND BE POSITIONED TO PREVENT THE DRAW BAR FROM DROPPING TO THE GROUND IN THE EVENT OF HITCH FAILURE.
- CONNECT LIGHTING PLUG/ELECTRIC BRAKE PLUG (WHEN APPLICABLE)
- MAKE CERTAIN THAT THE WHEEL LUG NUTS AND AXLE MOUNT HARDWARE IS TIGHTENED.
- CHECK PRESSURE AND OVERALL CONDITION OF TIRES.
- TEST BREAKS (IF APPLICABLE)

201150

**USE GASOLINE FUEL ONLY**

201152

**DANGER**

**FIRE HAZARD  
NO SMOKING**

TO PREVENT SERIOUS INJURY OR DEATH FROM FIRE:

- DO NOT SMOKE WHEN REFUELING
- KEEP SPARKS, FLAMES, AND HOT MATERIAL AWAY FROM FLAMMABLE SUBSTANCES.

201005

**EMERGENCY STOP  
PUSH TO STOP**

201026

**WARNING**

IMPROPER OPERATION OF THIS EQUIPMENT CAN CAUSE SERIOUS INJURY OR DEATH. READ OPERATOR'S MANUAL SUPPLIED WITH THIS MACHINE BEFORE OPERATION OR SERVICING. MODIFICATION OR ALTERATION OF THIS MACHINE WILL VOID MANUFACTURER'S WARRANTY. DO NOT ALTER OR MODIFY THIS MACHINE WITHOUT THE EXPRESS WRITTEN CONSENT OF THE MANUFACTURER.

201154

**CHECK LIST**

- CHECK AND TIGHTEN WHEN NECESSARY ALL NUTS AND BOLTS.
- CHECK MIXER PADDLE AND WIPERS ADJUSTMENTS AND TIGHTEN PADDLE BOLTS.
- GREASE ALL FITTINGS – GREASE DRUM SEALS TO AVOID DOWN TIME ON REPAIRS.
- CHECK BELT ADJUSTMENT AND TIGHTEN BELT IF NECESSARY.
- CHECK TIRE PRESSURE. INFLATE 12" AND 13" TO 30 PSI. 8" TIRES TO 45 PSI.
- ENSURE THE DRUM LOCK AND HOOD FASTENER ARE IN LOCKED POSITION BEFORE TRANSPORTATION.

290791



## 6. SAFETY DECAL LOCATION

**WARNING**

1. READ AND UNDERSTAND OPERATOR'S MANUAL AND SAFETY SIGNS BEFORE STARTING.
2. STOP ENGINE, DISCONNECT SPARK PLUG WIRE AND WAIT FOR ALL MOVING PARTS TO STOP BEFORE SERVICING, MAINTAINING, ADJUSTING OR CLEANING.
3. KEEP HANDS, FEET, HAIR OR CLOTHING AWAY FROM MOVING PARTS.
4. INSTALL, CLOSE AND SECURE ALL GUARDS, SHIELDS AND HOODS BEFORE OPERATING.
5. DO NOT PLACE HANDS IN THE DRUM UNLESS ENGINE IS OFF AND SPARK PLUG IS DISCONNECTED OR MOTOR IS OFF AND POWER CORD IS UNPLUGGED.
6. STAY AWAY FROM HOT ENGINE COMPONENTS DURING OPERATION
7. HAVE A LICENCED ELECTRICIAN WIRE UP ELECTRIC MOTORS.
8. DO NOT SMOKE WHEN REFUELING.
9. USE POWER CORD WITH REQUIRED CAPACITY TO CARRY POWER TO ELECTRIC MOTOR.
10. FOLLOW GOOD SAFETY PROCEDURES WHEN HANDLING FUEL.
11. ROUTE THE POWER CORD OUT OF THE WAY & PROTECT IT FROM DAMAGE.
12. DO NOT OPERATE IN AN EXPLOSIVE ATMOSPHERE OR A POORLY VENTILATED AREA WITHOUT ADEQUATE VENTILATION.
13. KEEP WORKING AREAS DRY AND CLEAN TO PREVENT SLIPPING AND TRIPPING.
14. ALWAYS ATTACH SAFETY CHAIN WHEN TOWING.
15. COMPLY WITH APPLICABLE TRANSPORTING REGULATIONS WHEN TOWING.
16. DO NOT ALLOW RIDERS DURING TRANSPORTING.
17. DO NOT EXCEED A SAFETY TRAVEL SPEED WHEN TRANSPORTATING. SLOW DOWN FOR CORNERS AND WHEN GOING OVER ROUGH TERRAIN.

201001



**WARNING**

45 mi/hr.

EXCESSIVE TOWING SPEED CAN CAUSE SERIOUS INJURIES OR DEATH.  
DO NOT EXCEED 45 MI/HR. (73 KM/HR.)

- BE CERTAIN THAT THE WHEEL LUG NUTS AND AXLE MOUNTING HARDWARE ARE TIGHTENED.
- CHECK PRESSURE AND OVERALL CONDITIONS OF TIRES.

EMERGENCY STOP  
PUSH TO STOP



**NOTICE**

- ENSURE THE VEHICLE HAS TOWING CAPACITY FOR THE WEIGHT OF THIS MACHINE.
- DO NOT TOW MACHINE UNLESS THE DRAW BAR IS BOLTED IN PLACE AND THE SAFETY PIN IS SECURELY FASTENED.
- CLOSE ENGINE FUEL CUTOFF BEFORE TOWING MIXER TO PREVENT LEAKING OIL INTO ENGINE CRANKCASE.
- 2 PERSON LIFT PER UNIT TO POSITION MIXER ON VEHICLE.
- SECURELY ATTACH HITCH TO TOWING VEHICLE. ENSURE USE OF SAFETY PIN THROUGH LATCH OR HANDWHEEL FOR BALL TYPE HITCH.
- SAFETY CHAIN ATTACHMENT (SEE PICTURE) MUST CROSS UNDER THE DRAW BAR AND BE POSITIONED TO PREVENT THE DRAW BAR FROM DROPPING TO THE GROUND IN THE EVENT OF HITCH FAILURE.
- CONNECT LIGHTING PLUG/ELECTRIC BRAKE PLUG (WHEN APPLICABLE)
- MAKE CERTAIN THAT THE WHEEL LUG NUTS AND AXLE MOUNT HARDWARE IS TIGHTENED.
- CHECK PRESSURE AND OVERALL CONDITION OF TIRES. TEST BREAKS (IF APPLICABLE)

201150



**CAUTION**

WHEN TOWING, ENSURE DRAWBAR IS IN THE MIDDLE POSITION.

201012

**CAUTION**

2-PERSON LIFT REQUIRED TO POSITION MIXER HITCH ON/OFF VEHICLE

201155

**DANGER**

- ☐ THE ENGINE EXHAUST AND SOME OF ITS CONSTITUENTS FROM THIS PRODUCT CAN EXPOSE YOU TO CHEMICALS INCLUDING CARBON.
- ☐ TO MINIMIZE EXPOSURE, AVOID BREATHING EXHAUST. ONLY USE THIS PRODUCT IN WELL VENTILATED AREAS. FOR MORE INFORMATION VISIT: [www.P65warning.ca.gov](http://www.P65warning.ca.gov) DE1700

**WARNING**

**ROTATING PART HAZARD  
KEEP AWAY**

TO PREVENT SERIOUS INJURY OR DEATH ROTATING PARTS:

1. INSTALL, CLOSE AND SECURE ALL GUARDS, SHIELDS AND HOODS BEFORE OPERATING. DO NOT PLACE HANDS IN DRUM UNLESS THE MOTOR OR ENGINE IS OFF AND THE POWER CORD UNPLUGGED OR THE KILL SWITCH ACTIVATED.
2. KEEP HANDS, FEET, HAIR AND LOOSE CLOTHES AWAY FROM MOVING PARTS. 201003

**CHECK LIST**

- CHECK AND TIGHTEN WHEN NECESSARY ALL NUTS AND BOLTS.
- CHECK MIXER PADDLE AND WIPERS ADJUSTMENTS AND TIGHTEN PADDLE BOLTS.
- TIGHTENINGS – GREASE DRUM SEALS TO AVOID DOWN TIME ON REPAIRS.
- TIGHTEN AND TIGHTEN BELT IF NECESSARY.
- INSURE. INFLATE 12" AND 13" TO 30 PSI. 8" TIRES TO 45 PSI.
- DRUM LOCK AND HOOD FASTENER ARE IN LOCKED POSITION BEFORE OPERATION.

290791

**WARNING**

**MISSING GUARD HAZARD**  
INSTALL, CLOSE AND SECURE ALL GUARDS, SHIELDS AND HOODS BEFORE OPERATING.

201004

**WARNING**

**DANGER**

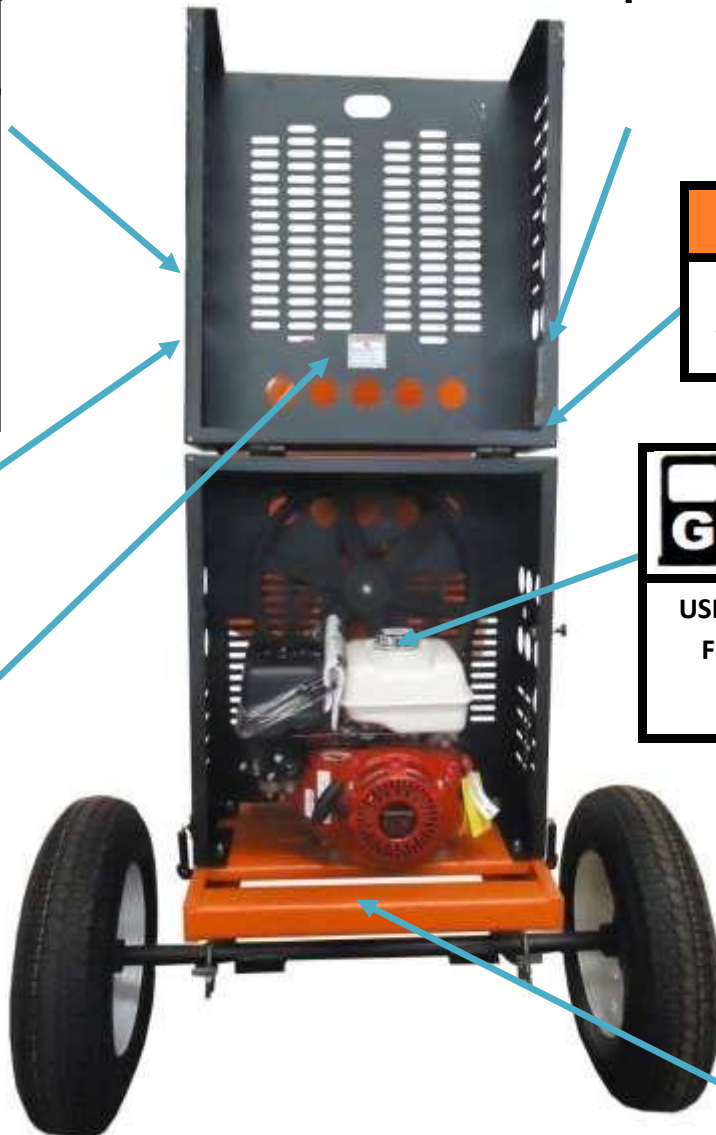
**USE GASOLINE FUEL ONLY**  
201152

**FIRE HAZARD NO SMOKING**  
TO PREVENT SERIOUS INJURY OR DEATH FROM FIRE:  
1. DO NOT SMOKE WHEN REFUELING  
2. KEEP SPARKS, FLAMES, AND HOT MATERIAL AWAY FROM FLAMMABLE SUBSTANCES.  
201005

**WARNING**

IMPROPER OPERATION OF THIS EQUIPMENT CAN CAUSE SERIOUS INJURY OR DEATH. READ OPERATOR'S MANUAL SUPPLIED WITH THIS MACHINE BEFORE OPERATION OR SERVICING. MODIFICATION OR ALTERATION OF THIS MACHINE WILL VOID MANUFACTURER'S WARRANTY. DO NOT ALTER OR MODIFY THIS MACHINE WITHOUT THE EXPRESS WRITTEN CONSENT OF THE MANUFACTURER.

201154



**When is electric**

**DANGER**

**ELECTROCUTION HAZARD**  
1. TURN MACHINE OFF, SHUT DOWN AND LOCK OUT POWER SOURCE, UNPLUG POWER CORD AND WAIT FOR MOVING PARTS TO STOP BEFORE SERVICING OR REPAIRING MACHINE OR ELECTRICAL COMPONENTS.  
2. KEEP ELECTRICAL COMPONENTS IN GOOD CONDITIONS.  
201004

## 7. BEFORE OPERATING

- **REMEMBER!** It is the owner's responsibility to communicate information on the safe use and proper operation of this unit to the operators.
- Before operating, review SAFETY PRECAUTIONS listed on page 5 of this manual.
- Familiarize yourself with the operation of the unit and confirm that all controls function properly BEFORE starting engine.
- Locate the killing switch and assure you know how to STOP the unit.
- Make sure hands, feet, and clothing are at a safe distance from any moveable parts prior to starting.
- Shrouds and grids are provided to protect the operator or structures in close proximity to rotating hot engine parts. It is the **RESPONSABILITY OF THE OPERATOR** to see that they are properly in place.
- OIL LEVEL - Check the oil level in the engine. For more information see "Lubrication" under the engine "Owner's Manual" the "Maintenance" section of this manual.

(956) 796-9411

- All mixers come without oil. Running an engine without lubrication may damage the engine.
- AIR CLEANER - Check to ensure elements are in good condition and properly installed.
- Review every decal with the OPERATOR.
- FUEL SUPPLY – Mixer engines require an automotive grade of clean, fresh, unleaded or regular gasoline. **All mixers come WITHOUT gasoline, oil or any other fluid.**
- OIL LEVEL - Check the oil level in the engine. **OIL Type is SAE 10W-30, API SJ or later**, for general use for both engine & gear reduction (if applies). For more information see "Lubrication" under the engine "Owner's Manual" the "Maintenance" section.

All mixers come without oil on **ENGINE & GEAR REDUCER COMPARTMENT.** **GX160 ENGINES W/ 6:1 REDUCER BOX** has TWO (2) oil compartments. Running an engine without lubrication may damage this unit.

Fuel	Unleaded gasoline	
	U.S.	Pump octane rating 86 or higher
	Except U.S.	Research octane rating 91 or higher
Engine oil	SAE 10W-30, API SJ or later, for general use.	
Reduction case oil	Same oil as engine oil, see above (applicable types).	
Spark plug	BPR6ES (NGK) W20EPR-U (DENSO)	
Maintenance	Before each use:	
	<ul style="list-style-type: none"> <li>• Check engine oil level.</li> <li>• Check reduction case oil (applicable types).</li> <li>• Check air filter.</li> </ul>	
	First 20 hours:	
	<ul style="list-style-type: none"> <li>• Change engine oil.</li> <li>• Change reduction case oil (applicable types).</li> </ul>	
	Subsequent: Refer to the maintenance schedule	

SUGGESTED OIL TYPE		
Season	Temperature	Oil Type
Summer	25°C or Higher	SAE 10W-30
Spring/Fall	25°C ~ 10°C	SAE 10W-30/20
Winter	0°C or Lower	SAE 10W-10



- FUEL FILTER - Check to ensure element is in good condition... Replace if it is clogged or damaged.
- LUBRICATION POINTS - Make sure all pillow blocks and drum’s trunnions have been properly greased.

## 8. OPERATION INSTRUCTIONS

Prior to starting engine, make sure the mixer drum is locked to avoid drum to flip over.

### Check Gas engine

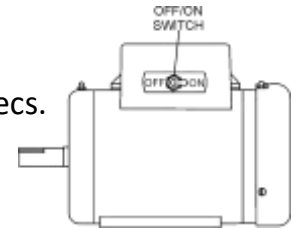
1. Open the fuel valve.
2. Pull the stop switch on the engine shroud to its "Out" position.
3. Move the engine throttle control to the "FAST" position.

(956) 796-9411

4. Choke the engine if necessary. (You may not need to choke to warm engine)
5. Pull the starter string
6. After the engine starts, move the choke lever to the open position, move the throttle level to the "IDLE" position and let the engine warm-up for one or two minutes.

### Check Electric motor

1. Plug the motor into a suitable power source according to the motor specs.
2. Move the switch on the motor to the "on" position.



### OPERATING

1. If using a gas engine, allow the engine to warm up then move the throttle to the fast position.
2. Close the engine shroud

**IMPORTANT**  
Engine warranty is void if the engine is run without oil.



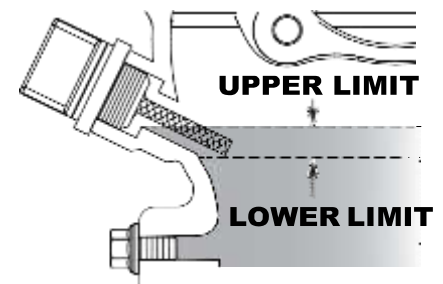
**DO NOT OPERATE THE MIXER WITH THE SHROUD OPEN!**

3. Position drum at desired position before shoveling material inside the drum.
4. Follow the bag instruction if using a premix mix to get the desired consistency.
5. After discharging the final batch of mix, add water to the drum while the mixer is running. Discharge the water after to clean excess material.
6. Additional cleaning may be needed.

## 9. ADDING FLUIDS & TOWING

### GAS ENGINE

1. Make sure drum is locked.
2. Pull off the engine stop switch on the engine shroud.
3. Close the fuel valve.
4. Add oil to continue operation / Drain oil if need oil change.
5. Add gasoline if needed.



### STOP THE ENGINE OR ELECTRIC MOTOR BEFORE:

1. Adding fuel/Oil.
2. Leaving equipment unattended for any amount of time.
3. Making any repairs or adjustments to the unit.
4. Transportation.

**IMPORTANT**

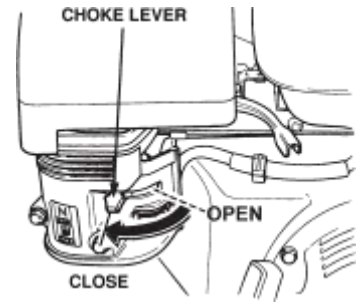
The engine is supplied from the engine manufacture with the high idle speed set at approximately 3500 RPM and no gas or oil. As a result, the engine is not run when it is mounted to the Mixer. It is the responsibility of the customer to add oil and gas, start the engine and reset the high idle RPM to the operating range (Refer the Maintenance Section for procedure).

### BEFORE TOWING:

1. Make sure the axle, wheels and tow bar hardware are tightened.
2. Check the condition of the pin on the tow bar and make sure it is secured.
3. Remove any loose debris from the mixer.



- 4. Use safety chains when towing.
- 5. ALWAYS make sure choke lever on fuel valve is closed!



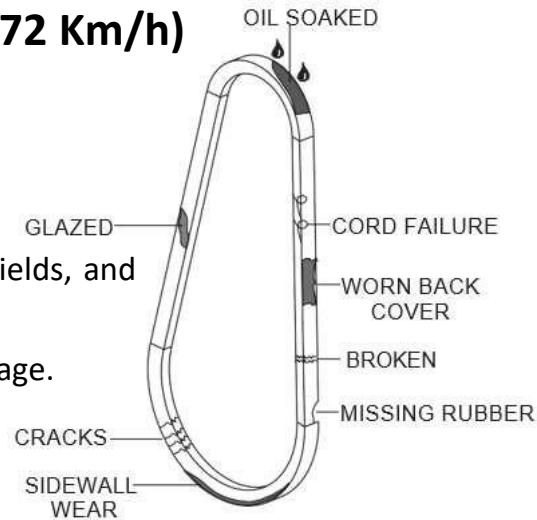
**TOWING:**

- 1. Stop the engine or electric motor.
- 2. Close and hook the engine should.
- 3. Rotate the drum into the tow position and secured it with the locking pin.
- 4. Secure the mixer hitch and safety chains to the vehicle.

**MAXIMUM TOW SPEED: 45 mph (72 Km/h)**

## 10. SERVICE INSTRUCTIONS

- Never service or lubricate the unit engine while running.
- After servicing the unit, restore and fasten all guards, shields, and covers to their original positions.
- Never drain oil into the ground, into open streams, or sewage.
- Check V-Belt conditions periodically.



### ENGINE

See engine owner’s manual maintenance schedule. If lost please visit <https://engines.honda.com/parts-and-support/owners-manuals> for more information.

**REMEMBER!** It is the owner’s responsibility to communicate information on the safe use and proper operation of this unit to the operators.



ENGINE TROUBLESHOOTING		
SYMPTOM	POSSIBLE PROBLEM	SOLUTION
Poor starting	Inspect carburetor to see if fuel is reaching it?	Check fuel line
	No Fuel?	Add Fuel
	Water in fuel tank?	Flush or replace fuel tank.
	Fuel filter clogged?	Replace fuel filter
	Stuck carburetor?	Check float mechanism.
	Spark plug is red?	Spark plug is fouled. Check transistor ignition unit.
	Spark plug is blue-white?	Insufficient compression, injected air leaking. Carburetor jets are clogged (overflow).
	Nospark present at tip of spark plug?	Transistor ignition unit broken, high voltage cord cracked or broken. Start/Stop switch broken. Replace spark plug if fouled.
	No oil?	Add oil as required.
	Oil pressure alarm lamp blinks upon starting?	Check Automatic shutdown circuit "oil sensor".
Insufficient power output "no compression"	Engine will not turn over?	Replace cylinder and piston and if necessary, axle joint.
	Cylinder head connecting bolts loose?	Tighten cylinder head connecting bolts.
	Cylinder head gasket damaged?	Replace cylinder head gasket.
	Malfunition of valve seat?	Re-seat valves.
	Spark plug is loose?	Replace spark plug.
	Worn piston rings?	Replace piston rings.
Insufficient power output "compression"	Malfunition in air-cleaner system, air filter clogged?	Clean or replace air filter.
	Air leaking in from interface between carburetor and cylinder head?	Tighten bolts between carburetor and cylinder head. Replace cylinder head gasket.
	Malfunition in fuel system?	Clean or replace fuel filter. Clean or replace carburetor. Check carburetor float.
Insufficient power output "compression" and overheats	Malfunition in cooling fan?	Check or replace cooling fan.
	Air in-take filter clogged?	Clean or replace air in-take filter.
Burns to much fuel	Over accumulation of exhaust products?	Clean and check valves. Check muffler, replace if necessary.
	Wrong spark plug?	Replace spark plug with manufactures suggested type spark plug.
Exhaust color is continuously "WHITE"	Lubricating oil is wrong viscosity?	Replace lubricating oil with correct viscosity.
	Worn rings?	Replace rings
Exhaust color is continuously "BLACK"	Air cleaner clogged?	Clean or replace air cleaner.
	Choke valve has not been set to the correct position?	Adjust choke valve to the correct position.
	Carburetor defective, seal on carburetor broken?	Replace carburetor or seal.

## DRUM

1. Wash the drum after every day's usage. Tip the drum forward to drain water excess.
2. Leave mixer drum facing down to avoid rain water, snow, dust or any other weather particles to get inside the mixer drum when not in use.
3. Secure with locking pin before moving mixer for towing or storing.

**MATERIAL DUMPING**



**MATERIAL FILLING**

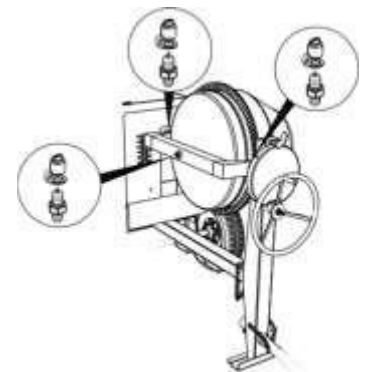


**WRONG FILLING**



**LUBRICATION**

- Grease all fittings daily. All concrete mixers have (2) pillow blocks with grease fittings on the mixer yoke, and (1) grease fitting in the bowl shaft in the bottom of the mixer drum/yoke.



**11. MAINTENANCE SCHEDULE**

MAINTENANCE SCHEDULE							
DESCRIPTION	OPERATION	BEFORE	FIRST MONTH OR 10 HRS.	EVERY 3 MONTHS OR 25 HRS.	EVERY 6 MONTHS OR 50 HRS.	EVERY YEAR OR 100 HRS.	EVERY 2 YEARS OR 200 HRS.
Engine Oil	CHECK	X					
	CHANGE		X				
Air Cleaner	CHECK	X					
	CHANGE			X (1)			
Hardware	RE-TIGHTEN IF NECESSARY	X					
Spark Plug	CHECK-CLEAN				X		
	REPLACE						X
Cooling Fins	CHECK				X		
Spark Arrester	CLEAN					X	
Fuel Tank	CLEAN					X	
Fuel Filter	CHECK					X	
Idle Speed	CHECK-ADJUST					X (2)	
Valve Clearance	CHECK-ADJUST						X (2)
Fuel lines	CHECK	Every 2 years (replace if necessary) (2)					

**REMEMBER!** It is the owner's responsibility to communicate information on the safe use and proper operation of this unit to the operators.

## 12. REPLACEMENT

### Parts

### Tolerance or Replacement Cycle

Engine Components

V-Belts

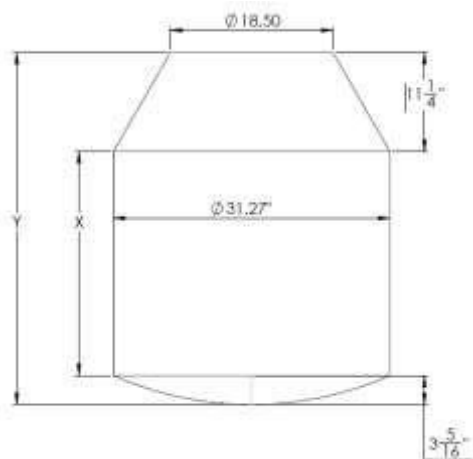
Gears

Hardware

Safety Decals

- ✓ Refer to your engine manufacturer’s Owner’s Manual
- ✓ Replace if stretched to the point that the idler does not work properly. Replace the V-belts if they are cracked or torn.
- ✓ Replace if the teeth are cracked or have become sharp.
- ✓ Re-torque all bolts after the first eight hours of operation and check hardware every 25 hours. Replace any worn or damaged hardware as needed. Replacement hardware should be grade 5 and zinc plated.
- ✓ Replace if they become aged, damaged or cannot be easily read.

## 13. EQUIPMENT SPECS



	X	Y	Ø
<b>CM7</b>	13"	27-9/16"	18-1/2"
<b>CM9</b>	17"	31-9/16"	18-1/2"
<b>CM9(P)</b>	21-5/8"	36-3/8"	17"
<b>CM12</b>	25-1/2"	40-1/16"	18-1/2"

**DRUM RPM: 29 RPM**

MODEL	CM7	CM9	CM9(P)	CM12
<b>Bulk-mix capacity bags</b>	½ - 1 bags	1 - 1-½ bags	1 - 1-½ bags	1-½ - 2 bags
<b>Pre-mix Cap (80 lbs. bag)</b>	12 bags	15 bags	15 bags	20 bags
<b>Mixing Capacity cu. ft (Lt)</b>	7 cu. ft (220)	9 cu. ft (260)	9 cu. ft (260)	12 cu. ft (340)
<b>Total Capacity cu. ft (Lt)</b>	8.98 cu. ft (254)	12.6 cu. ft (356)	12.3 cu. ft (348)	15.39 cu. ft (435)
<b>Engine Power</b>	5 - 8 HP Honda or 1.5 HP Electric	8 HP Honda, 1.5 HP Electric	8 HP Honda, 1.5 HP Electric	13 HP Honda, 2 HP Electric
<b>Drive System</b>	V-Belt to Gears	V-Belt to Gears	V-Belt to Gears	V-Belt to Gears
<b>Wheel Size</b>	12 x 4.8 High - Speed	13 x 6.5 High - Speed	13 x 6.5 High - Speed	13 x 6.5 High - Speed
<b>Overall Width in (cm)</b>	51" (129)	51" (129)	51" (129)	51" (129)
<b>Length (tow pole in) in (cm)</b>	79" (200)	81" (205)	78" (198)	83" (210)
<b>Overall Height in (cm)</b>	58" (147)	63" (160)	63" (160)	69" (175)
<b>Operating Weight lbs. (Kg)</b>	790 lbs. (359)	868 lbs. (394)	650 lbs. (295)	895 lbs. (406)
<b>Drum Thickness</b> 1/8 bottom, 1/16 wrap	10 Gauge Complete Drum	10 Gauge Complete Drum	9/16" in (14 mm)	10 Gauge Complete Drum

Concrete Mix Ratio								
Applications	Mix Ratios	Batch Quantities					Approx. Batch Output	
		Cement Bag 112lb (50 Kg)	Sand		Stone			
			cu. ft.	Lt.	cu. ft.	Lt.	cu. ft.	Lt.
Most Ordinary	1:2:4	1/2 Bag	1¼	35	2½	71	3	85
Foundations	1:3:6	1/3 Bag	1¼	35	2½	71	2¾	78
Rough Mass Concrete	1:4:8	1/4 Bag	1¼	35	2½	71	2¾	78
Watertight Floors, Tanks, Pits, etc.	1:1½:3	2/3 Bag	1¼	35	3	71	3	85

## 14. TROUBLESHOOTING

CM MIXER TROUBLESHOOTING		
Symptom	Possible Problem	Solution
Drum rotates rough.	Defective ring gear?	Check that the ring gear and bearings are not worn. Replace as necessary.
	Defective 12 tooth pinion gear?	Check that the pinion gear and bearings are not worn. Replace as necessary.
	Ring gear not touching tooth when discharging	Fasten Yoke hex nut to tighten drum yoke. Additional spacer may be needed tightening if issue continues problem may be on bowl bearings.
	Drum not discharging	Check drive bearings & replace.
Drum does not rotate at all.	Incorrect or no voltage being supplied to electric motor?	Check that the electric motor has the correct supply voltage.
	Power to electric motor?	Inspect power source and extension cord. Push reset button on electric motor. Make sure correct voltage is being supplied to motor.
	Fuel?	Check level of fuel in fuel tank. Add fuel if necessary. Make sure fuel is being supplied to the engine. Check to ensure that the fuel filter is not clogged.
	Broken V-belt?	Replace V-belt.
	Defective ring or pinion gears?	Check that the gears and bearings are not broken. Replace as necessary.
	Defective electric motor?	Replace electric motor.

## 15. WARRANTY

### THIS IS YOUR WARRANTY – PLEASE READ AND SAVE

1. Before you use your machine please register your machine at <https://tkequip.com/warranty/>
2. **TK Equip** warrants each new machine against any manufacturing defect in material and workmanship under normal use and service for a period of (1) one year. Warranty period begins on first day of use by end user. This first day of use is established by the date of a completed warranty card registration online
3. We do not warranty engines. Engine warranty claims should be made directly to an authorized service center for the particular engine manufacturer. (Please see your engine manual for more details)
4. We reserve the choice to repair or replace. Parts such as engines, motors, pumps, valves, etc. furnished by our equipment but not manufactured by us. These parts will only carry the warranty of their original manufacturer except in special situations as decided upon by our representatives. Warranty claims should be reported immediately, continued use of the machine after a failure could result in additional damage and excessive wear not covered under the warranty terms
5. Our mixers come with a Life time warranty on Bearings & Seals. The obligation under this warranty is limited to the replacement of parts at your local dealer branch or on an authorized distributor. To access this lifetime warranty Mixer must be registered online once is purchased, otherwise we reserve the choice of authorization this warranty
6. Machines altered or modified without a written consent may void this warranty policy immediately. Misuse, negligence, accidents or the operation of the machines in any other way that the recommended by our operation procedures, will void this warranty policy. This warranty shall not apply to machines repaired by other than authorized dealer or distributors.
7. The cost of shipping and down time and other expenses related are not covered by this warranty.
8. Written authorization for the return of merchandise under warranty must be obtain from a member of our customer service. All equipment & parts returned may be sent with a signed RGA (Return Goods Authorization) for its follow up.
9. We reserve the right to inspect and render the final decision on each warranty case.
10. We reserve the right to improve or make product changes without incurring any obligation to update, refit or install on machines previously sold.
11. We are not responsible for any liability, damage or injury directly or indirectly from the design, material or operation of its product. It is the operator's responsibility to operate our machines only when wearing the proper protection recommended by the Occupational Safety and Health Administration. Harm or death by inhaling particles or other physical injury may occur if this machine is operated without using the proper safety gear, or following the appropriate procedures in this manual.
12. The detailed warranty letter or email must be returned to us within 10 days after purchase/acquired, for a first use failure warranty claim.
13. Warranty request must be submitted in written within 30 days after machine failure to any of our customer service representative.
14. THE FOREIGN WARRANTY IS EXPRESSLY IN LIEU OF ALL OTHER WARRANTIES, EXPRESSED OR IMPLIED, INCLUDING THE WARRANTIES OF MERCHANT ABILITY AND FITNESS FOR USE AND OF ALL OTHER OBLIGATION OR LIABILITIES ON OUR PART, AND WE NEITHER ASSUME NOR AUTHORIZE AINES, MOTOR AND THEIR COMPONENTS.NY OTHE RPERSON TO ASSUME FOR US ANY OF OUR PRODUCTS. LIKEWISE, THIS WARRANTY



(956) 796-9411

**Control #:** \_\_\_\_\_ (Dealer's internal #)

### TK Equipment, Inc.

### Lifetime Limited Warranty Application

This warranty application must be filled in by the dealer/distributor at the time of the sale. Please Print

TK Equipment Product Purchased at: \_\_\_\_\_ Phone ( \_\_\_\_\_ ) \_\_\_\_\_

Street Address: \_\_\_\_\_

City: \_\_\_\_\_ State: \_\_\_\_\_ Zip: \_\_\_\_\_

Model No.: \_\_\_\_\_ Customer Invoice: \_\_\_\_\_ Date: \_\_\_\_/\_\_\_\_/\_\_\_\_

16 DIGIT Serial No.: \_\_\_\_\_

Customer Name: \_\_\_\_\_ Phone: ( \_\_\_\_\_ ) \_\_\_\_\_

Street Address: \_\_\_\_\_

City: \_\_\_\_\_ State: \_\_\_\_\_ Zip: \_\_\_\_\_

Representative Signature: \_\_\_\_\_ Date: \_\_\_\_/\_\_\_\_/\_\_\_\_

Equipment's Owner Signature \_\_\_\_\_ Date: \_\_\_\_/\_\_\_\_/\_\_\_\_

Additional Notes: \_\_\_\_\_

\_\_\_\_\_

\_\_\_\_\_

\_\_\_\_\_

**NOTE:** To Register our unit, please send a copy by email to [service@btmequipment.com](mailto:service@btmequipment.com) or by fax to (956) 462-2500

**Control #:** \_\_\_\_\_



### TK Equipment, Inc.

### Customer Life Time Warranty Application

\*Dettach and keep on file  
(Check warranty policy for details)

Customer Signature

\_\_\_\_\_

## 16. CONTACT US

### *We are at your service*

We have established a network of reputable distributors with trained mechanics and full facilities for maintenance and rebuilt, and to carry an adequate stock parts in all areas of the country. Their sales engineers are available for professional consultation. If you cannot locate your nearest distributor contact our sales branch listed below so we can point you in the right direction.

[www.tkequip.com](http://www.tkequip.com)

[salesmanager@tkequip.com](mailto:salesmanager@tkequip.com)

[sales@tkequip.com](mailto:sales@tkequip.com)

Office: 956-796-9411

Tel: 956-740-3740

Fax: 956-462-2500

17. ADDITIONAL NOTES:

---

---

---

---

---

---

---

---

---

---

---

---

---

---

---

---

---

---

---

---

---

---

---

---

---

---

---